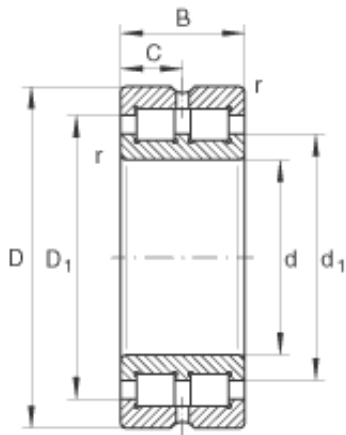




BEARING-MALAYSIA SDN.BHD.



240 mm x 300 mm x 60 mm INA SL014848 Cylindrical Roller Bearings

Bearing No. SL014848

SL014848 Bearing 2D drawings and 3D CAD models

Size	240x300x60 mm
Bore Diameter	240 mm
Outer Diameter	300 mm
Width	60 mm
d	240 mm
D	300 mm
B	60 mm
C	30 mm
D ₁	276,7 mm
d ₁	259,5 mm
r _{min}	2 mm
	NNC4848V / Designation to DIN 5412
m	10 kg / Weight
C _r	510000 N / Dynamic load rating (radial)
C _{0r}	1260000 N / Static load rating (radial)
C _{ur}	143000 N / Fatigue limit load, radial
n _G	1170 1/min / Limiting speed
Category	Cylindrical Roller Bearings
Inventory	0.0
Manufacturer Name	SCHAEFFLER GROUP
Minimum Buy Quantity	N/A
Weight / Kilogram	11.99



BEARING-MALAYSIA SDN.BHD.

EAN	4012802424843
Product Group	B04144
Bore Profile	Straight
Cage Material	None
Precision Class	RBEC 1 ISO P0
Number of Rows of Rollers	Double Row
Separable	No
Rolling Element	Cylindrical Roller Bearing
Profile	Complete with Outer and Inner Ring
Snap Ring	No
Internal Clearance	C0-Medium
Retainer	No
Relubricatable	Yes
Inch - Metric	Metric
Other Features	Full Complement 3 Rib Inner Ring 2 Rib Outer Ring Operating Temperature From -30 to 120 Deg
Long Description	240MM Bore; Straight Bore Profile; 300MM Outside Diameter; 60MM Width; RBEC 1 ISO P0; Double Row; Not Separable; No Snap Ring; Relubricatable; C0-Medium Internal Clearance; No Retainer
Category	Cylindrical Roller Bearing
UNSPSC	31171547
Harmonized Tariff Code	8482.50.00.00
Noun	Bearing
Manufacturer URL	http://www.ina.com
Manufacturer Item Number	SL014848
Weight / LBS	26.4
Bore	9.449 Inch 240 Millimeter



BEARING-MALAYSIA SDN.BHD.

Width	2.362 Inch 60 Millimeter
Outside Diameter	11.811 Inch 300 Millimeter