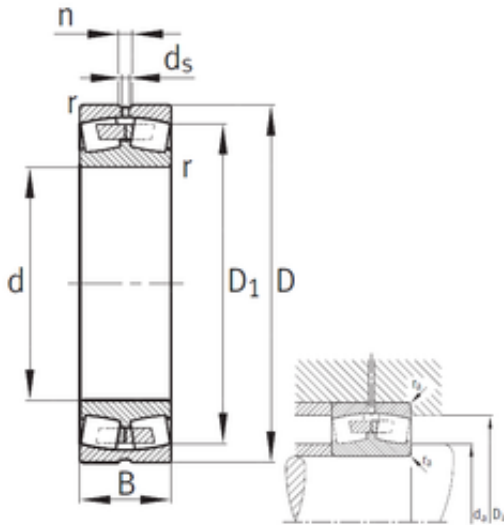




BEARING-MALAYSIA SDN.BHD.



280 mm x 500 mm x 176 mm FAG 23256-MB Spherical Roller Bearings

Bearing No. 23256-MB

Size	280x500x176 mm
Bore Diameter	280 mm
Outer Diameter	500 mm
Width	176 mm
d	280 mm
D	500 mm
B	176 mm
C	176 mm
n	23,5 mm
r min.	5 mm
D1	426,3 mm
da min.	300 mm
Da max.	480 mm
ra max.	4 mm
d5	12,5 r/min
Weight	157 Kg
Basic dynamic load rating (C)	3000 kN
Basic static load rating (C0)	5300 kN
Fatigue load limit (Pu)	260
Reference speed	620 r/min
Limiting speed	1 100 r/min
Calculation factor (e)	0,36
Calculation factor (Y0)	1,82
Calculation factor (Y1)	1,86

23256-MB Bearing 2D drawings and 3D CAD models